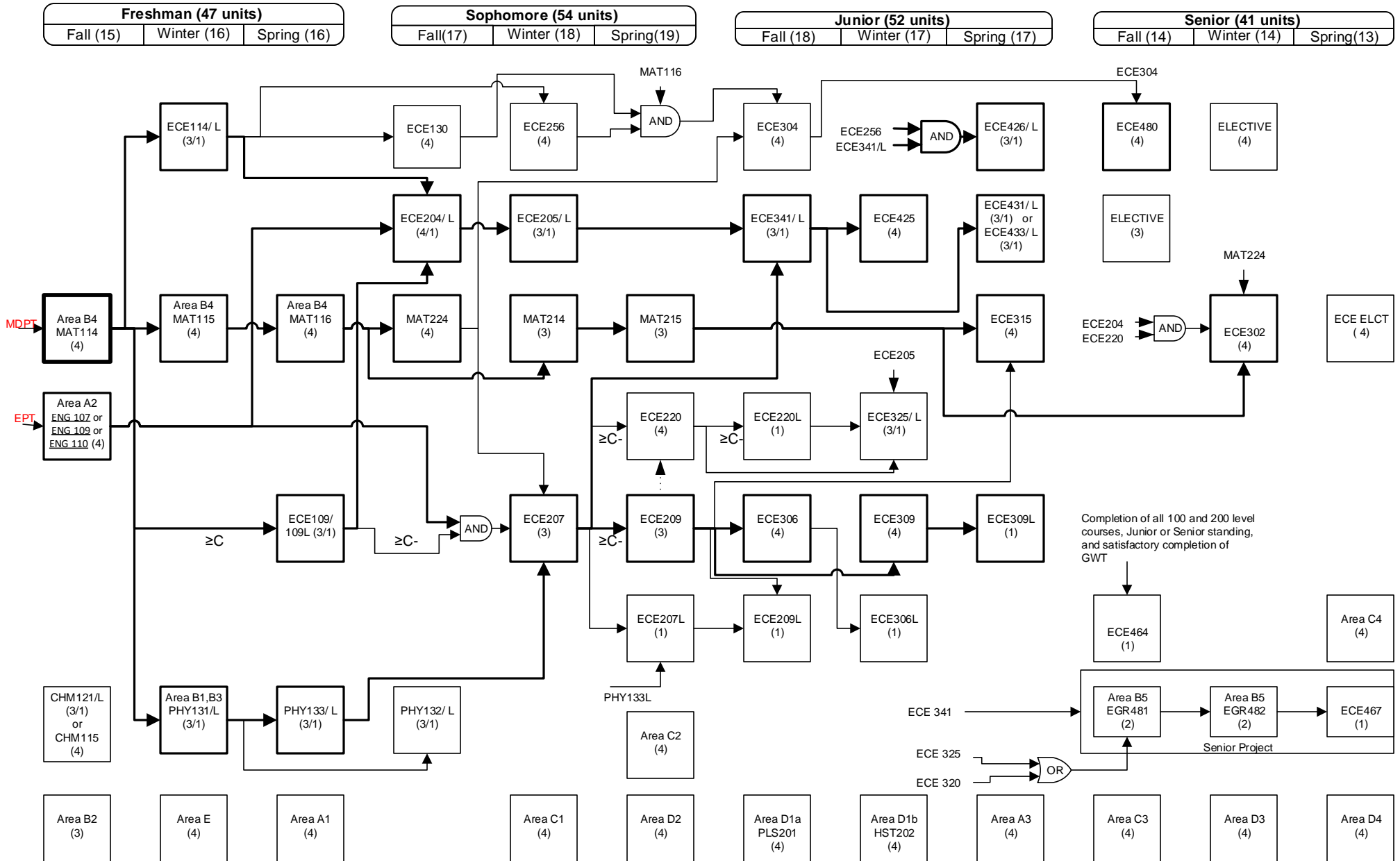


Computer Engineering Curriculum Flow Chart

Year 2017-2018

Name: _____



The Electives must be satisfied by selecting courses from the following list. If a course with an associated Lab (The lab is listed as corequisite to the Lecture) is selected both must be taken.

ECE 342/L ECE 343/L ECE 404/L ECE 414/L ECE 415/L ECE 423 ECE 423L ECE 424/L
ECE 408/L ECE428 ECE 429 ECE 432/L ECE 439 ECE 499 (with advisor approval)